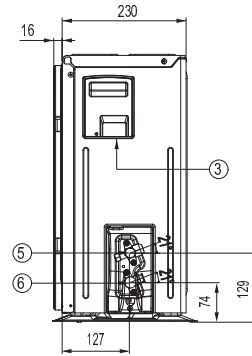
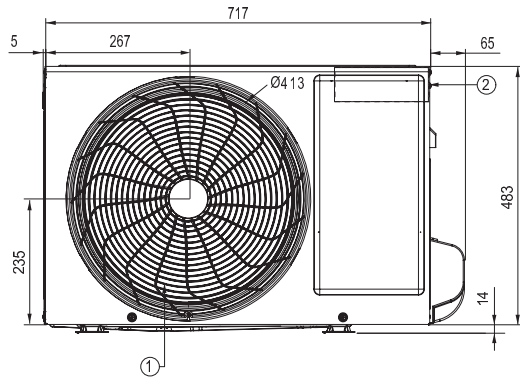
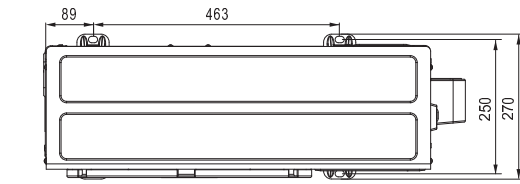


OUTDOOR UNITS

AC09BH UA3 / AC12BH UA3 / PC09SQ UA3 / PC12SQ UA3

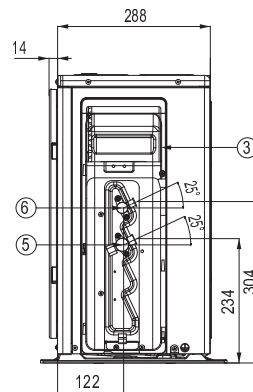
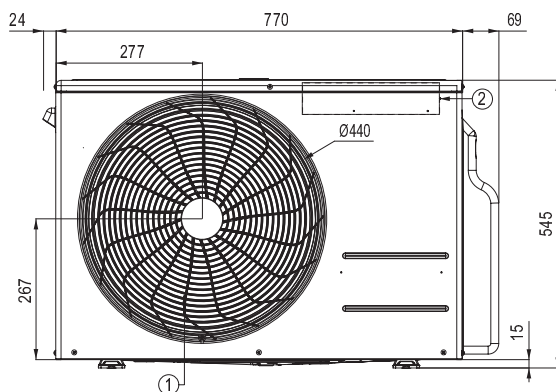
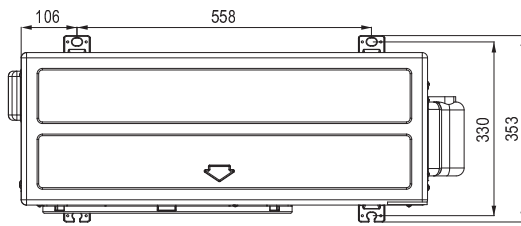
(Unit: mm)



ITEM NO.	PART NAME
1	Air Outlet
2	Control Box
3	Power and Communication Cable Hole
4	Service Valve Cover
5	Gas Pipe Connection
6	Liquid Pipe Connection

DC09RH UL2 / DC12RH UL2 / DC18RH UL2 / AC18BH UL2 / PC18SQ UL2

(Unit: mm)



ITEM NO.	PART NAME
1	Air Outlet
2	Control Box
3	Power and Communication Cable Hole
4	Service Valve Cover
5	Gas Pipe Connection
6	Liquid Pipe Connection